

LINEAR DIMMABLE DRIVER

150W | 24V

ZICO[®]
LIGHTING
WORLDWIDE

SPECIFICATION

AC220-240V / 50/60Hz / PF:0.98 / Ta 45-c / Tc go-c / IP20 / Load Range:12V:30-144W/24V:30-150W/ DF:0.98						
Model No.	Output Voltage	Efficiency	Input Current	Current Range	Dimming Mode	Dimming Range
SL150-24VFM	24V	91.9%	<0.9A	1.25-6.25A	Triac/ 0-10V / PWM / Potentiometer	1 – 100% (Triac) 0 – 100% (3 & 1)

Note: different dimmers have different dimming ranges.

APPLICATIONS

- An electronic protection circuit switches off the power supply in case of short circuit or overload in the secondary circuit, overheat as well as open circuit. Once the fault is eliminated, the LED power supply will reset automatically for normal operation.
- The unit conforms to the EMC directive 2014/30/EU and the LVD 2014/35/EU.
- Dimmable LED power supply by trailing or leading edge dimmers.
- Can be used for triac dimming function.

IMPORTANT INFORMATION FOR INSTALLATION

- Be sure to read and understand all instructions before installation. For best results this product should be installed by a qualified technician.
- Be sure to connect the light to the power supply first before connecting power supply to outlet. Failure to connect to an outlet in this order may cause damage and will void manufacturer's warranty.
- There are no user serviceable parts inside power supply. Removal of cords or covers may damage product and will void warranty.
- Do not overload the power supply.
- The maximum length of output cable to the LED lamps should not exceed 2m in order to meet the EMC standard.
- If the LED power supply is used for purposes other than originally intended or it is connected in the wrong way, no liability can be taken over for possible damages.

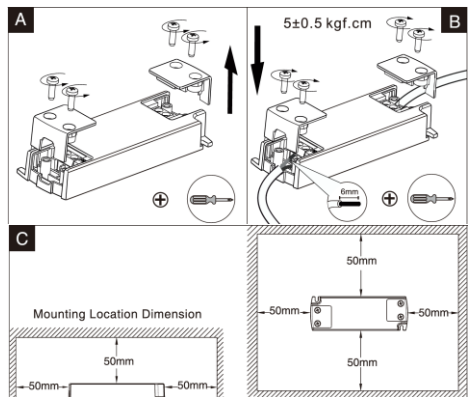
INSTALLATION INSTRUCTIONS

- Connect the LED lamps to LED power supply with correct polarity according to the schematic drawing.
- Primary cable: H03VVH2-F 2x0.75mm²
- Secondary cable: H03VVH2-F 2x0.75mm²

CORRECT DISPOSAL OF THIS PRODUCT

NB! This product should not be disposed with other household waste.

To prevent possible harm to the environment or human health from uncontrolled waste disposal, recycle it responsibly to promote the sustainable reuse of material resources. Please recycle in line with local regulations.



Our products as well as the technologies behind them are subject to continuous improvements.
All specification is subject to change without notice. Please refer to our website for the most up to date information.

www.zico.lighting | +44 (0)20 7223 3087 | admin@zico.lighting

ZICO LIGHTING 3rd Floor, 207 Regent Street, London W1B 3HH United Kingdom